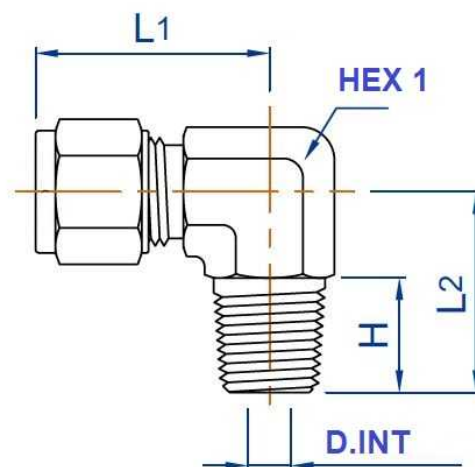


Racor Doble Anillo Trale LOK

Codos tubo-rosca

Racor en codo rosca cónica BSPT

Acero Inoxidable AISI 316-L-1.4404



Artículo	ØD1	R1	Ø int	L1	L2	HEX 1	H
ZKLM0804	1/2"	1/4"	7.11	29	25,8	9/16"	14.2
ZKLM0404	1/4"	1/4"	5.08	27,43	24,13	1/2"	14,22
ZKLM0406	1/4"	3/8"	5.08	29,46	27,94	5/8"	14,22
ZKLM0408	1/4"	1/2"	5.08	33,27	34,29	13/16"	19,05
ZKLM0606	3/8"	3/8"	7.11	30,48	27,94	5/8"	14,22
ZKLM0608	3/8"	1/2"	7.11	34,54	34,29	13/16"	19,05
ZKLM0808	1/2"	1/2"	10.41	36,57	36,57	13/16"	36,57
ZKLM06M04	6	1/4"	5	27,2	24,1	1/2"	14,2
ZKLM06M08	6	1/2"	5	33,2	34,2	13/16"	19
ZKLM08M06	8	3/8"	6.5	29,75	28	5/8"	14,2
ZKLM08M08	8	1/2"	6.5	35,4	34,2	13/16"	19,10
ZKLM10M04	10	1/4"	7.1	31,5	26,6	11/16"	14.2
ZKLM10M06	10	3/8"	7.9	31,5	26,6	11/16"	14,2
ZKLM10M08	10	1/2"	7.9	34,4	34,2	13/16"	19
ZKLM12M06	12	3/8"	9.5	36,6	29,1	13/16"	14.2
ZKLM16M04	16	1/4"	9.5	40,5	34,2	1"	14.2
ZKLM16M06	16	3/8"	9.5	40,5	33,4	1"	14.2
ZKLM16M08	16	1/2"	11.9	40,5	38	1"	19
ZKLM16M12	16	3/4"	12.7	40,5	38,4	1"	19
ZKLM22M12	22	3/4"	16	47,5	46	1"3/8	19
ZKLM22M16	22	1"	16	47,5	46	1"3/8	19